

# ARTSWANA

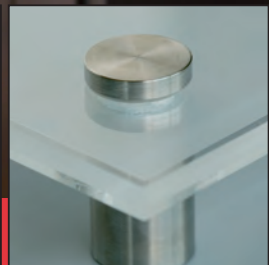
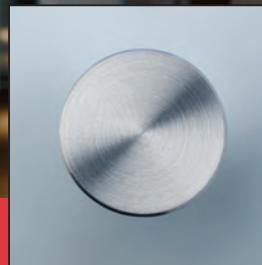
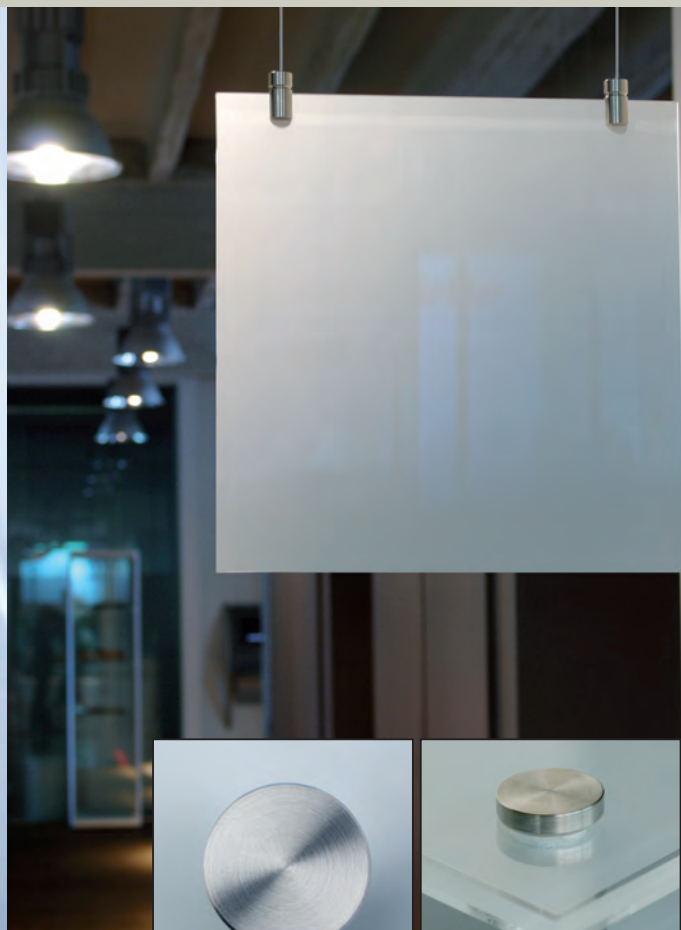
suppliers of:

EDUCATIONAL • SIGNAGE • SCREENPRINTING

Materials



# FIXINGS



## TIMELESS ELEGANCE

Over the last 10 years, Cosign has become the leading manufacturer of standoffs & sign fixings in the Benelux. Our designers chose to create fixings in an austere and modern design, in high-quality stainless steel (AISI 303 and 304).


Even though the sign fixings were designed for indoor use, many customers also use them outdoors in non-aggressive environments. Environments with chlorine, salt and metallic fumes must be avoided.

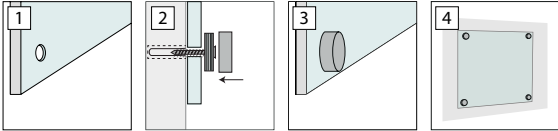
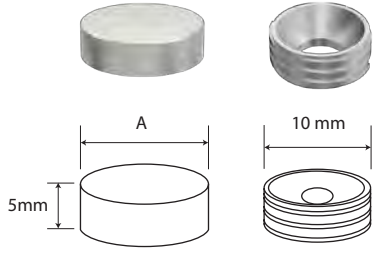
The design takes into account compatibility with sheets of glass. We use silicon rings to protect the sheets of glass or set screws with a nylon tip wherever possible.

Starting in 2015, all our standoffs & sign fixings spacers will also be available in stylish silver anodised aluminium and in a blister pack that will include the wall screws, plugs and allen keys.


# DISTANCE HOLDERS

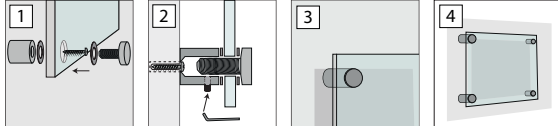
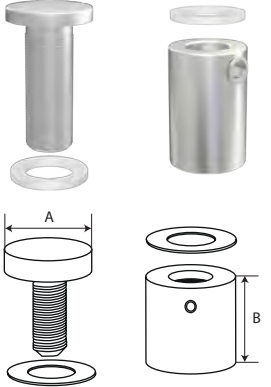
## MOUNT BUTTONS

	code inox	code aluminium	diameter (A)
	MB130000	MB130000-A	13mm
	MB180000	MB180000-A	18mm


## THROUGH HOLE PANEL SUPPORTS

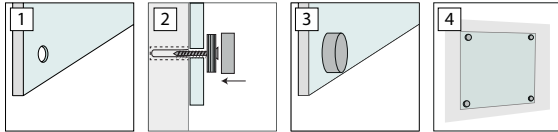
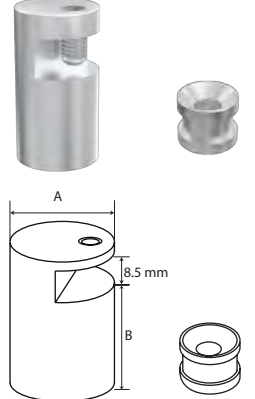
	code inox	code aluminium	diameter (A)	projectie (B)	dikte paneel	diameter boorgat
	DH131507	DH131507-A	13mm	15mm	2-7mm	8mm
	DH132012	DH132012-A	13mm	20mm	2-12mm	8mm
	DH181507	DH181507-A	18mm	15mm	2-7mm	12mm
	DH182512	DH182512-A	18mm	25mm	2-12mm	12mm
	DH302512	DH302512-A	30mm	25mm	2-12mm	15mm


Through hole panel supports-also supplied in hollow aluminium at budget prices

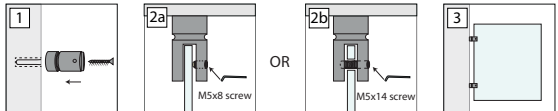
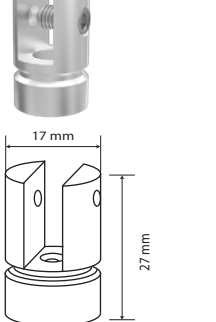
## SIDE GRIP PANEL SUPPORTS

	code inox	code aluminium	diameter (A)	projectie (B)	dikte paneel
	SG182008	SG182008-A	18mm	20mm	max 8mm
	SG302008	SG302008-A	30mm	20mm	max 8mm

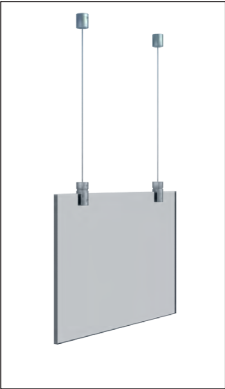
## WALL-CEILING PANEL GRIPS

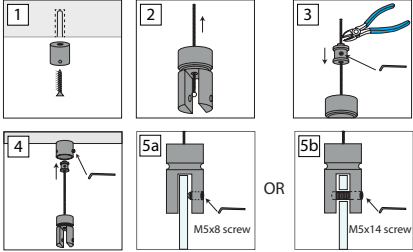
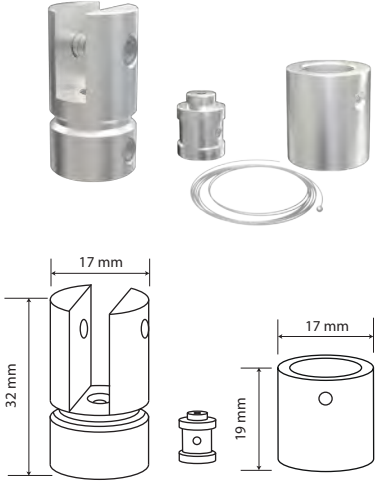
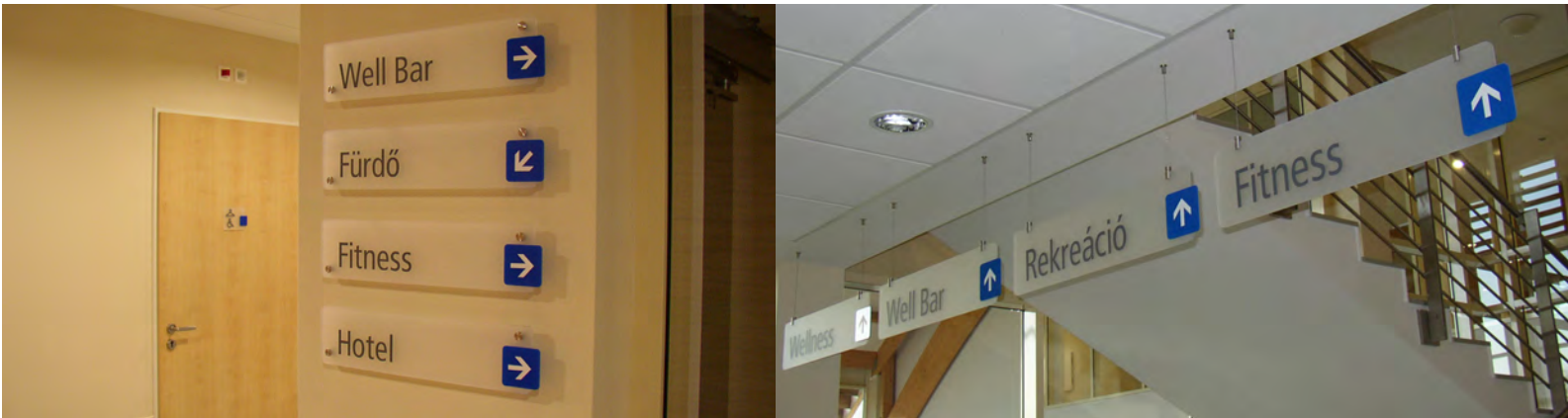
	code inox	code aluminium	diameter	dikte paneel
	WG170008	WG170008-A	17mm	max 8mm

# DISTANCE HOLDERS

## SUSPENSION KIT

	code inox	code aluminium	diameter	dikte paneel	description
	CC15HP06	CC15HP06-A	17mm	max 6mm	suspension clamp
	CC15KIT4	CC15KIT4-A	17mm	max 6mm	suspension kit incl. ceiling connector and wire.

### CONTACT DETAILS

**TEL/FAX**

(+267) 3924497

**EMAIL**

sales@artswana.co.bw

**ADDRESS**

PLOT 20616, Samedupe Road,  
Block 3 Industrial, Gaborone,  
P.O. Box 30993, Tlokweng, Botswana